



Kinetics Controls & Innovation Ltd



Mac-Seal & MS-Sealant

Wellhead Isolation & Control Line

Product and Application Review

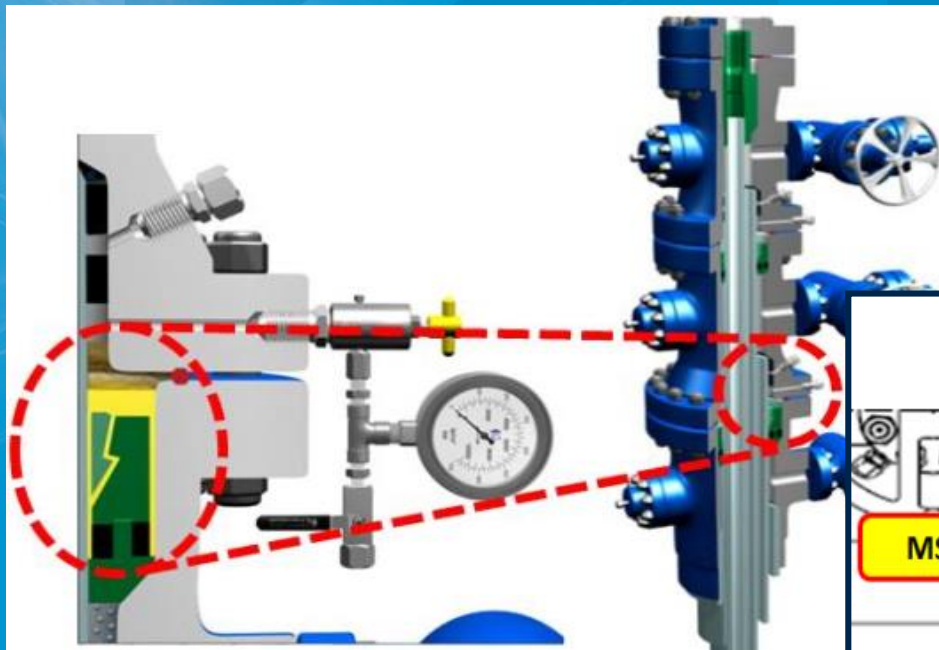


Wellhead Isolations



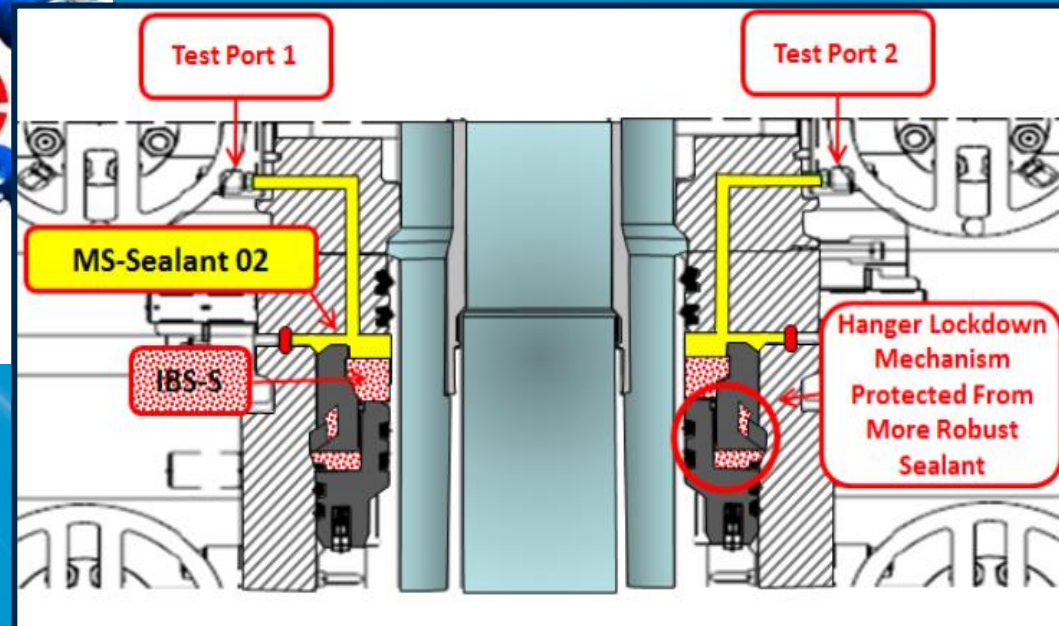
Mac-Seal & MS-Sealant provide a static seal between existing damaged sealing areas.

Deployed as a time activated viscous fluid, Mac-Seal & MS-Sealant convert to a resilient self-bonding, pressure energised, solid but flexible material to re-establish a pressure retaining barrier without shrinkage.



Part Fill of Hanger Void

Hybrid Full Fill of Hanger Void with 2 Sealants





Damaged Ring Groove repair



Sealing face very badly damaged by Grinder



Damaged Ring Groove repair



Mix and deploy the Mac-Seal 06



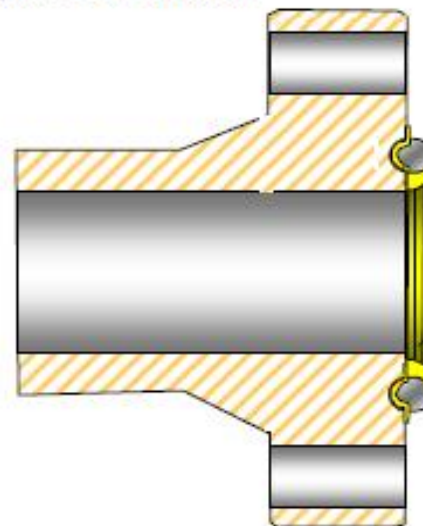
Install the gasket and press to displace the sealant



Remove the excess sealant and reposition inside the gasket.



Top View

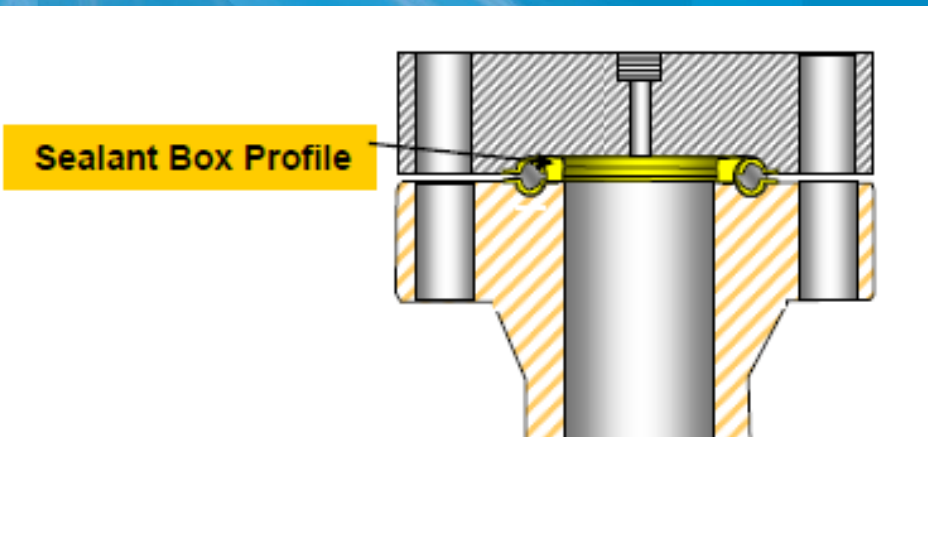
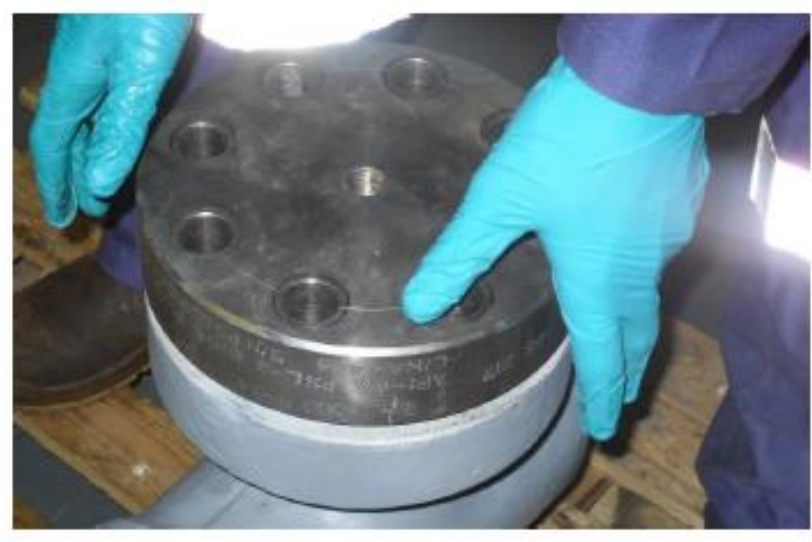


Mac-Seal 06 recommended profile

The profile is designed to displace when interfacing with the mating flange to form an internal box profile.



Damaged Ring Groove repair



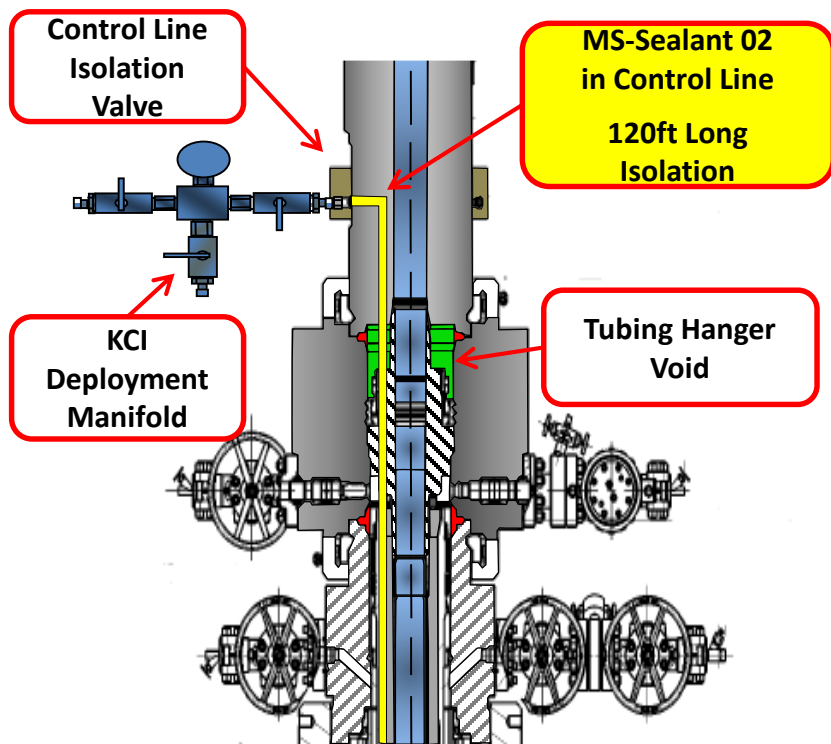


Control Line Isolation



Mac-Seal or MS-Sealant is used to permanently Plug & Isolate DHSV Control Lines, Chemical Injection Lines, Capillary Strings etc.

Used when well pressure is witnessed at surface in the Control Line, Workover or Abandonment. This would indicate that the well is down to one barrier from the reservoir pressure.



- Can regain Well Integrity if in-line Check Valves or Control Line structure fails.
- Safer, Faster & more Economical compared with Traditional Intervention operations.
- Negates the need to set a Straddle Plug in the DHSV nipple for an isolation.
- The cured isolation can be Pressure tested & Leak-Off tested.
- Just 500mls of Sealant required to fill a 1/4" Control Line to a depth of 120ft.